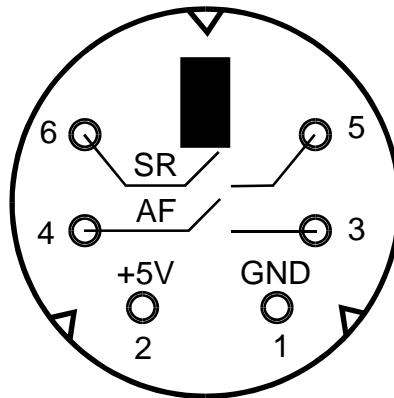


## RODEON modular: Camera Connector

Mini-DIN (6 pin)



Solder View  
(View on RODEON)

- AF = Autofocus (halfway release)
- SR = Shutter Release
- +5V = Voltage 5V 100mA<sup>1)</sup>
- GND = Signal Ground<sup>1)</sup>

<sup>1)</sup> for external supply only -  
not for standard camera release